

## 161 GRILL SCRAPER

### Safe, Effective Way to Clean the Grill

Maintain your grill with this heavy-duty grill scraper, cut cleanup time and effort by 50%, while removing food and grease buildup that can ruin grill surfaces.

Designed for use on steel surface grills, the model 161 scraper is tough enough to remove burnt residue left over from virtually all types of food products.

The easy grip handle ensures safe cleaning, and a new wing nut design makes blade removal even easier - no tools required.

Model 161 has a 6 inch (15.24 cm) blade. It features a splash guard to protect the operator.

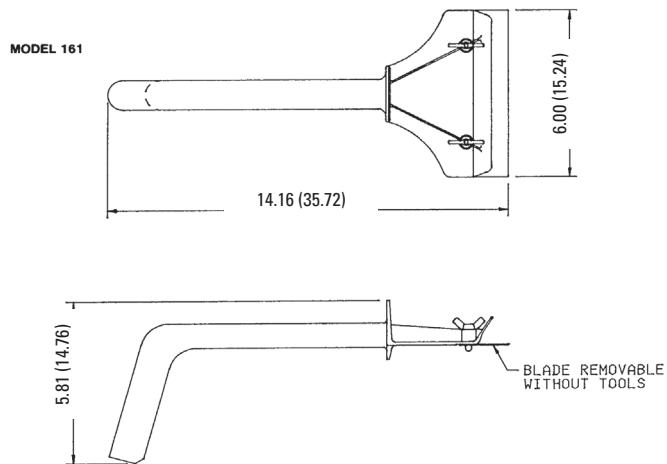


### FEATURES

- Thoroughly clean hot grills.
- Blades are easily replaced without tools.
- Removes food and grease residue that can ruin grills.
- Prevents flavor transfer of burnt foods.
- Cuts cleanup time by 50%.
- Dishwasher safe for fast, easy cleaning.
- Replacement blade are available.

### ORDERING INFORMATION

Model Number	Description
161	Grill Scraper
161-1HD	Heavy Duty Replacement Blade for 161
161-6DP	Disposable Blades (pkg of 6) for 161



### DIMENSIONS

Model Number	Width in(cm)	Length in(cm)	Height in(cm)	Shipping Weight lb(kg)	Shipping cu.ft. (cu.m.)
161	6.00 (15.24)	14.16 (35.72)	5.81 (14.76)	1.00 (.45)	.40 (.01)

### CERTIFICATIONS



Designs and Specifications are subject to change without notice.