

Portable Cambar®

650 Series

Models

- BAR650DX - Pre-Mix
- BAR650CP - Cold Plate
- BAR650 - Base

Features & Benefits

- Engineered to fit in standard elevators to be easily moved between locations. Ideal for suites and smaller gatherings.
- Unique detachable front lifts off, giving complete access to all storage areas for inventory and cleaning or routing soda lines, tubes and hoses.
- Sealed-in eight-circuit patented cold plate has unique "roof top" design that directs melted water immediately into drainage channels and into the waste water bin. Keeps ice colder longer.
- Premium quality Wunder-Bar® 5-button pre-mix soda gun offers fast, low foaming delivery.
- Oversized 7-bottle speed rail with towel grips is standard with all models. Detaches for easy cleaning. Built-in partitions keep bottles separated to prevent breakage.
- BAR650DX includes:
 - Deluxe model with one 5-button Wunder-Bar® gun, 1 sealed-in cold plate, 1 CO₂ tank chain, 1 speed rail, 1 waste water bin, 1 retainer strap, and 1 each 80 lb. (37 Kg.) ice sink and cover.
- BAR650CP includes:
 - One sealed-in cold plate, 1 CO₂ chain, 1 speed rail, 1 waste water bin, 1 retainer strap, and 1 each 80 lb. (37 Kg.) ice sink and cover.
- BAR650 includes:
 - One speed rail, 1 waste water bin, 1 retainer strap, and 1 each 80 lb. (37 Kg.) ice sink and cover.
- Molded high-density polyethylene is impact resistant and easy to clean. Won't dent, crack, rust, chip or break.
- Reinforced aluminum chassis and polyurethane structural foam core ensures unsurpassed strength.
- One ice sink, 80 lb. (37 Kg.) capacity with slide back cover for optimum sanitation.
- Four each 6" (15,2 cm) swivel casters, 2 w/ brakes, for smooth transport across carpet, cement or grass.
- Non-electrical.
- Minimal assembly required.
- Available in 5 solid colors and 6 color combinations.

Item No. _____

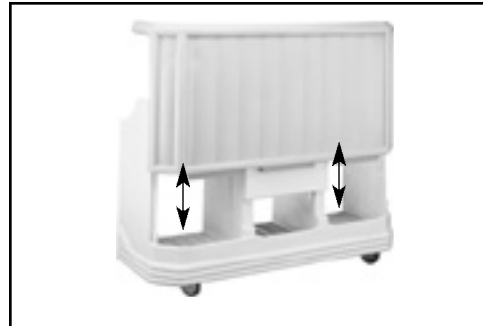
Specifier Identification No. _____

Model No. _____

Quantity _____



BAR650DX



Detachable front for easy access to inventory and routing lines, tubes and hoses.



Premium quality 5-button, pre-mix soda gun by Wunder-Bar®. (shown on Cambar650DS model)

Approvals



Portable Cambar®

650 Series

Models

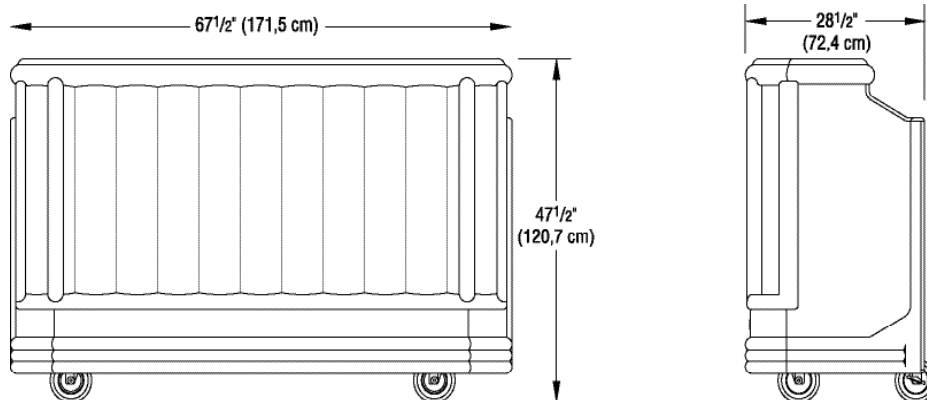
BAR650DX - Pre-Mix
 BAR650CP - Cold Plate
 BAR650 - Base

Item No. _____

Specifier Identification No. _____

Model No. _____

Quantity _____



BAR650DX / BAR650CP / BAR650

Specifications

Dimension Tolerance: +/- 1/4" (0,64 cm)

Code	Description	Overall Dimensions L x W x H	Case lbs./cube Kg/m ³
BAR650DX	Deluxe model with one 5-button Wunder-Bar® gun, 1 sealed-in cold plate, 1 CO ₂ chain, 1 7-bottle speed rail, 1 waste water bin, 1 retainer strap, and 1 each 80 lb. (37 Kg.) ice sink and cover.	67 1/2" x 28 1/2" x 47 1/2" (171,5 x 72,4 x 120,7 cm)	310 (59,09) 140,6 (1,67)
BAR650CP	1 sealed-in cold plate, 1 CO ₂ chain, 1 7-bottle speed rail, 1 waste water bin, 1 retainer strap, and 1 each 80 lb. (37 Kg.) ice sink and cover.	67 1/2" x 28 1/2" x 47 1/2" (171,5 x 72,4 x 120,7 cm)	300 (59,09) 136,1 (1,67)
BAR650	1 7-bottle speed rail, 1 waste water bin, 1 retainer strap, and 1 each 80 lb. (37 Kg.) ice sink and cover.	67 1/2" x 28 1/2" x 47 1/2" (171,5 x 72,4 x 120,7 cm)	210 (59,09) 95,3 (1,67)

Optional Accessories

- Wire Shelving 730WS
- Retaining Strap 730STP (2 each w/Cambar)
- Retaining Chain for CO₂ canisters 730CHN (1 each w/Cambar)
- 7-Bottle Speed Rail 730SR (1 each w/Cambar)

Standard Colors

- Two-tone Gray Marble (188) Black (110) Two-tone Brown Mahogany (189)
- Granite Gray (191) Granite Green (192) Granite Red (193)
- Granite Sand (194) Granite Gray w/Black base (420)
- Granite Green w/Black base (421) Granite Red w/Black base (422)
- Granite Sand w/Black base (423)

Architect Specs

The pre-mix portable bar shall be a Cambar650 Series, manufactured by Cambro Mfg. Co., Huntington Beach, CA 92648 U.S.A. It shall be a Cambro Model... It shall be constructed of molded high-density polyethylene and foam-injected polyurethane with a built-in bumper. It shall have an access passage in the middle compartment for a water line or electrical cord. It shall have 4 each 6" (15,2 cm) swivel casters, 2 w/ brakes, on a molded-in

aluminum chassis. It shall be available with a Premium 5-button Wunder-Bar® pre-mix soda gun, sealed-in 8-circuit "roof top" design cold plate and CO₂ chain. It shall have an oversized, 7-bottle partitioned speed rail with towel grips, a waste-water bin and an 80 lb (37 Kg.) ice sink and slide-back cover. It shall have 1 retainer strap. It shall have a detachable front that lifts off. All models shall be available in 5 solid colors and 6 color combinations.

Approvals



© 2002 Cambro Manufacturing Company 5801 Skylab Road, Huntington Beach, California 92647-2056-U.S.A.
 Telephone (1)714 848 1555 Toll Free 800 854 7631 Customer Service Hot Line 800 833 3003

Printed in USA