



**BEVERAGE-AIR**

**Click here to buy now!**

**Central**<sup>®</sup>  
**RESTAURANT PRODUCTS**  
WHOLESALE EQUIPMENT & SUPPLIES

**MT MARKETEE™ MERCHANDISERS**

MT53 Black Hinged Door Model  
Hydrocarbon Series

**1-866-285-1252**

MT53™ Merchandiser: Hinged Door Model



**MT53-1B**

**3 Year Parts/Labor Warranty**  
**Additional 2 Year Compressor Warranty**

**CABINET CONSTRUCTION**

- Standard cabinet exterior finish is heavy duty steel with a black baked on durable coating
- Heavy duty interior construction includes white coated steel
- Electronic temperature control
- Modern one piece grill
- Double pane lowE argon filled glass doors feature outside pane that is tempered for added safety
- Door locks standard
- Self-closing hinged glass door features, pocket door handle
- LED lighting
- Whisper quiet refrigeration system
- Five (5) epoxy coated shelves per section
- 2" Leveling feet

**OPTIONS & ACCESSORIES**

- Extra shelves & clips
- 3" Casters
- Visislide shelving kit
- Reversible door hinge kit

**REFRIGERATION SYSTEM**

- Refrigeration system uses R290 refrigerant to comply with all environmental standards
- Condenser is designed to be low maintenance, and energy efficient.
- Automatic, non-electric evaporator
- Epoxy coated evaporator coil



3779 Champion Blvd., Winston-Salem, NC 27105  
1-888-845-9800 Fax: 1-336-245-6453  
Beverage-Air.com sales@bevair.com



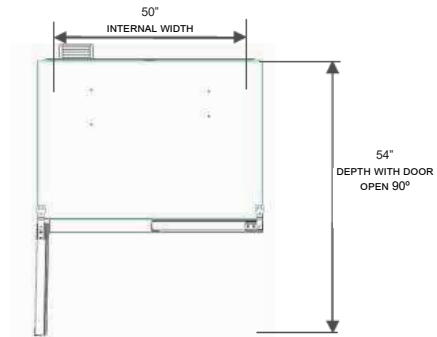
# BEVERAGE-AIR

MODEL	MT53-1B
<b>EXTERNAL DIMENSIONAL</b>	
Width Overall	54 1/4"
Depth Overall	29 3/8"
Height Overall	79"
Number of Doors	2
Depth with Door Open 90°	54"
Clear Door Openings (in)	22 3/4" x 59 3/8" (2)
Shelf Area (Sq. in)	474"
<b>INTERNAL DIMENSIONAL DATA</b>	
NET Capacity (cubic ft.)	31.41
Capacity 20 oz	480
Internal Width Overall (in)	50"
Internal Depth Overall (in)	20 7/8"
Internal Height Overall (in)	59 11/16"
Internal Height Useable (in)	54"
Number of Shelves	10
<b>ELECTRICAL DATA</b>	
Full Load Amperes 115/60/1	8.3
<b>REFRIGERATION DATA</b>	
Horsepower	1/2
Capacity (BTU/Hr)*	4201
<b>WEIGHT DATA</b>	
Gross Weight (Crated lbs)	483.91 lbs
Height - Crated	85 3/8"
Width - Crated	57"
Depth - Crated	33"

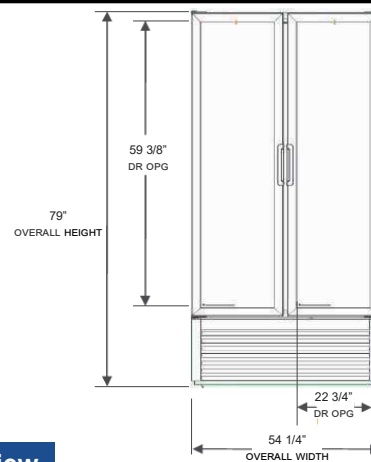
## Glass Hinged Door Model

Models: MT53-1B

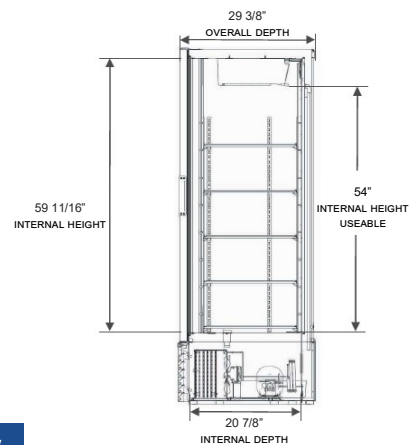
### Model Views



### Plan View



### Elevation View



### Side View

### ELECTRICAL CONNECTION



115/60/1  
NEMA-5-15P

Units pre-wired at factory and include 8' long cord and plug set.



an Ali Group Company



The Spirit of Excellence

3779 Champion Blvd., Winston-Salem, NC 27105  
1-888-845-9800 Fax: 1-336-245-6453  
Beverage-Air.com sales@bevair.com