



# BEVERAGE-AIR

3779 Champion Blvd., Winston-Salem, NC 27105  
1-888-845-9800 Fax# 1-336-245-6453  
<http://www.Beverage-Air.com>

**CUSTOMER'S CHOICE FOR A HOT KITCHEN**  
**Tested & Certified to Ambient Class of 100°F**

Item No. \_\_\_\_\_  
Quantity \_\_\_\_\_

**SHALLOW DEPTH  
WORKTOP FREEZERS  
FOOD PREPARATION SERIES**

**MODELS:  
WTF20  
WTF27**

## 3 Year Parts/Labor Warranty Additional 2 Year Compressor Warranty

### WTF SERIES WORKTOP FREEZERS

Compact shallow depth worktop freezers with stainless steel exterior, heavy duty construction including durable sub top, 120° stay-open field reversible doors with cartridge style hinges & snap-in door gaskets.

### CABINET CONSTRUCTION

20" and 27" base models designed to fit in limited space with stainless steel exterior and aluminum interior. Stainless steel 2 1/2" thick worktop with 4" high removable backsplash and 2" thick CFC and HCFC-free foamed-in-place polyurethane insulation. Cartridge style hinges with black anodized aluminum pull style door handles and 120° stay-open door feature.

Snap-in-place vinyl magnetic gaskets. Standard options: 6" high legs\* and 2 steel wire epoxy coated shelves per door-section.

### REFRIGERATION

Freezer model temperature is held at 0°F. Freezers utilize environmentally friendly refrigerants. Freezers use R404A refrigerants. Both are CFC and HCFC-free providing full compliance with environmental safety standards.

### ELECTRICAL

Units wired at factory and ready for connection to a 115/60/1 phase, 15 amp dedicated outlet. 8' long cord and plug set included.

### AVAILABLE ACCESSORIES

- Roller kit
- Stacking collars (20 & 27 models only)
- Shelf dividers
- Overshelf kits
- Richlite and composite cutting boards

### OPTIONAL UPGRADES

- LED lighting (glass door refrigerators)
- Stainless steel interior
- Door locks
- Left hand hinge door(s) (excludes UCR34Y)
- Left hinge door(s) & 3" casters packed
- Door thermometer



WTF20



WTF27

**\* In lieu of 6" legs, 3" or 6" casters optional;  
no charge when specified on order**

### ELECTRICAL CONNECTION

Units pre-wired at factory and include 8' long cord and plug set.



115/60/1  
NEMA-5-15P



Available From: \_\_\_\_\_

<b>Model Specified</b> _____	<b>Store#</b> _____
<b>Location</b> _____	<b>Quantity</b> _____



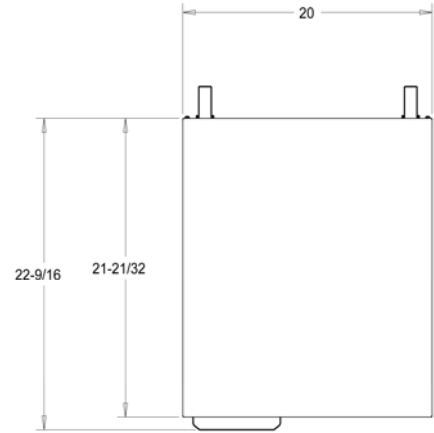
**BEVERAGE-AIR**

**SHALLOW DEPTH  
WORKTOP FREEZERS**

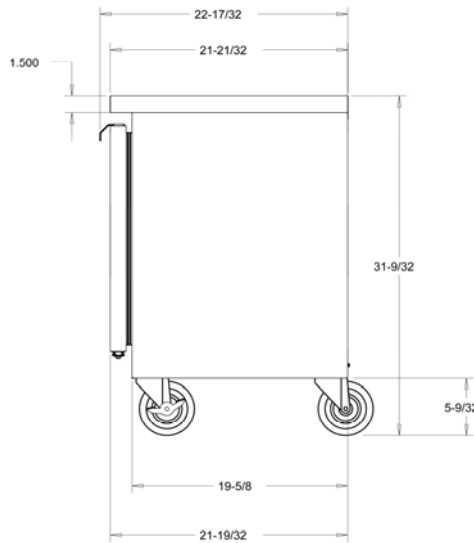
**Models: WTF20, WTF27**

MODEL	WTF20	WTF27
<b>EXTERNAL DIMENSIONAL DATA</b>		
Length Overall (inches)	20"	27"
Length Overall (mm)	508	686
Depth Overall (inches) - Less handle	22 17/32"	25 3/4"
Depth Overall (mm) - Less handle	559	705
Height Overall— on 6" legs (inches)	31 9/32"	39 1/2"
Height Overall—on 6" legs (mm)	791	876
Depth with Door Open 90 °	40 1/2"	53 1/4"
Clear Door Opening (inches)	15 3/4" x 18 3/16"	22 1/2" x 21 3/8"
Number of doors	1	1
<b>INTERNAL DIMENSIONAL DATA</b>		
NET Capacity (cubic ft.)	2.7	6.2
NET Capacity (Liters)	77	176
Internal Length Overall (inches)	16"	23"
Internal Length Overall (mm)	406	584
Internal Depth Overall (inches)	13"	18"
Internal Depth Overall (mm)	330	457
Internal Height Overall (inches)	19"	23"
Internal Height Overall (mm)	483	584
Number of shelves	2	2
<b>ELECTRICAL DATA</b>		
Full Load Amperes 115/60/1	5.3	6.0
<b>ENERGY CONSUMPTION (KWH)</b>		
	6.18	N/A
<b>REFRIGERATION DATA</b>		
Horsepower	1/4	1/4
<b>WEIGHT DATA</b>		
Gross Weight (Crated lbs)	130	162
Gross Weight (Crated kg)	59	74

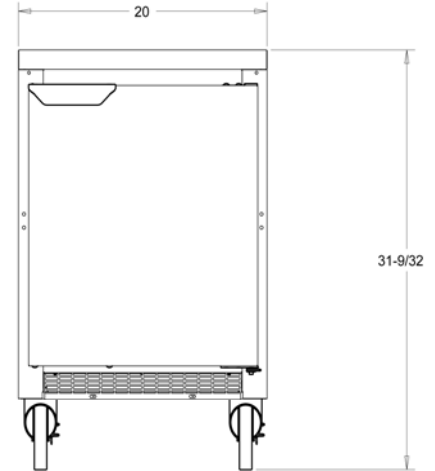
**PLAN VIEWS**



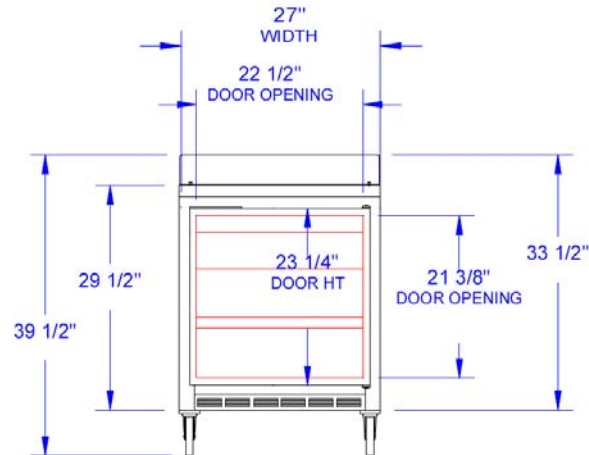
**WTF20 TOP**



**WTF20 END**



**WTF20 FRONT**



**FRONT VIEW  
WTF27**



**BEVERAGE-AIR® CORPORATION**

3779 Champion Blvd. • Winston-Salem, NC 27105 USA • (336) 245-6400 • Fax (336) 245-6453 • (888) 845-9800 • www.beverage-air.com

Specifications are subject to change without prior notice. 08/12