



# BEVERAGE-AIR

Project: \_\_\_\_\_

AIA#

Item: \_\_\_\_\_

Location: \_\_\_\_\_

SIS#

Approved: \_\_\_\_\_

## UCF UNDERCOUNTER FREEZER

UCF20HC Shallow Solid Door  
Hydrocarbon Series

**MODELS:  
UCF20HC**



UCF20HC

**3 Year Parts/Labor Warranty  
Additional 2 Year Compressor Warranty**

### CABINET CONSTRUCTION

- Stainless steel front, sides, top, door, (*galvanized steel back & bottom*)
- Interior liner is made of corrosion resistant aluminum
- Full electronic control
- Undercounter feature a 1/2" thick sub-top
- Interior thermometer is standard
- Self-closing door with 120° stay-open feature, on cartridge style hinges
- Easy door removal for service and cleaning
- Magnetic gasket attached to each door for positive seal
- Painted aluminum door handle
- 6" Casters, two (2) with brakes standard
- Two epoxy-coated steel wire shelves standard
- Field reversible door
- Freezer temperatures is held at 0°F or below

### OPTIONS & ACCESSORIES

- Stainless steel back and grille
- Stainless steel interior
- Solid door with lock
- 6" Legs
- 3" Casters
- Low profile casters
- Foot pedal opener

### REFRIGERATION SYSTEM

- Refrigeration system uses R290 refrigerant to comply with all environmental concerns
- Automatic, non-electric evaporator
- System is serviceable from rear
- Epoxy coated evaporator coil

UCF20HC Undercounter Freezer: Food Prep Series



3779 Champion Blvd., Winston-Salem, NC 27105  
1-888-845-9800 Fax: 1-336-245-6453  
Beverage-Air.com sales@bevair.com



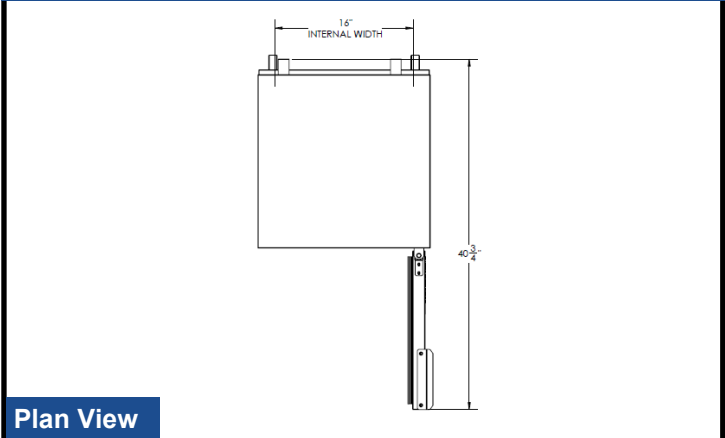
# BEVERAGE-AIR

MODEL	UCF20HC
<b>EXTERNAL DIMENSIONAL DATA</b>	
Width Overall	20"
Depth Overall	24 1/2"
Height Overall with 6" casters	31 1/8"
Number of Doors	1
Depth with Door Open 90°	40 3/4"
Door Opening (in)	15 5/8" x 18 1/8"
Shelf Area (sq. in)	186 1/2"
<b>INTERNAL DIMENSIONAL DATA</b>	
NET Capacity (cubic ft.)	2.27
Internal Width Overall (in)	16"
Internal Depth Overall (in)	16 3/8"
Internal Depth Useable (in)	Upper 11" Lower 8 1/4"
Internal Height Overall (in)	19 1/2"
Internal Height Useable (in)	12 1/2"
Number of Shelves	2
<b>ELECTRICAL DATA</b>	
Full Load Amperes 115/60/1	2.5
<b>REFRIGERATION DATA</b>	
Horsepower	1/3
Capacity (BTU/Hr)*	1418
<b>WEIGHT DATA</b>	
Gross Weight (Crated lbs)	117 lbs
Height - Crated	35"
Width - Crated	23"
Depth - Crated	26"

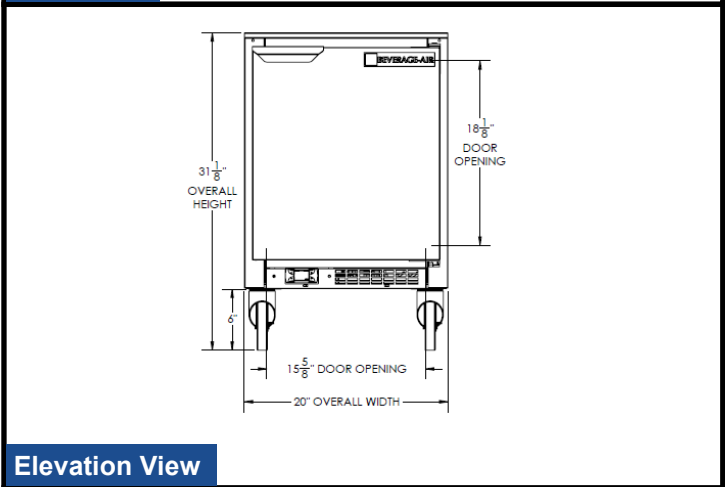
## Undercounter Shallow Freezer

Models: UCF20HC

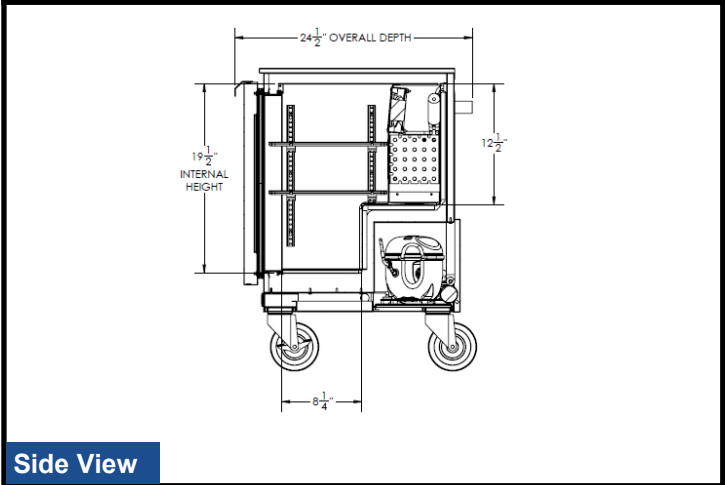
### Model Views



Plan View



Elevation View



Side View

### ELECTRICAL CONNECTION



115/60/1  
NEMA-5-15P

Units pre-wired at factory and include 8' long cord and plug set.



an Ali Group Company



The Spirit of Excellence

3779 Champion Blvd., Winston-Salem, NC 27105  
1-888-845-9800 Fax: 1-336-245-6453  
Beverage-Air.com sales@bevair.com