



BEVERAGE-AIR

Project: _____	AIA#
Item: _____	
Location: _____	SIS#
Approved: _____	

DPD FOOD PREPARATION SERIES

DPD67 Deli/Pizza Prep Table with Four Drawers

MODELS:
DPD67-4



DPD67-4

3 Year Parts/Labor Warranty
Additional 2 Year Compressor Warranty

CABINET CONSTRUCTION

- Stainless steel front, sides, top, drawers, and grille (*galvanized back & bottom*)
- Interior liner is made of corrosion resistant aluminum
- Aluminum top interior liner prevents spill from falling into cabinet
- Stainless steel top
- Removable hoods and insulated lid assemblies are made of matching stainless steel
- Magnetic gaskets provide positive seal on drawers
- 3" Casters, 2 with brakes standard
- 19" Wide reversible cutting board is removable for easy cleaning
- Units will accept pans up to 6" deep (pans are not included)
- Drawer frames are heavy duty stainless steel
- Telescoping slides, with locking mechanism to prevent drawers from being pulled off of cabinet
- Heavy duty locking pan divider supports are standard in drawers
- Maintains product temperatures between 36° to 38°F

OPTIONS & ACCESSORIES

- Stainless steel back and grille
- Stainless steel interior
- Locks
- Bun tray rack
- Composite cutting board
- 6" Casters
- 6" Legs Black or Seismic / Flanged
- Remote option

REFRIGERATION SYSTEM

- Refrigeration system uses R134a refrigerant to comply with all environmental concerns
- Automatic, non-electric defrost
- Epoxy coated evaporator coil

DPD67 Food Preparation Series: Deli/Pizza Prep Series



3779 Champion Blvd., Winston-Salem, NC 27105
1-888-845-9800 Fax: 1-336-245-6453
Beverage-Air.com sales@bevair.com



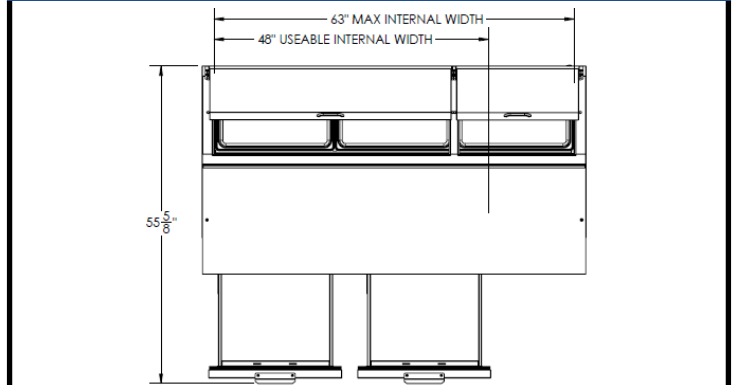
BEVERAGE-AIR

MODEL	DPD67-4
EXTERNAL DIMENSIONAL DATA	
Width Overall	67"
Depth Overall with Cutting Board	36 1/2"
Height Overall with 3" Casters	55 1/2"
Number of Drawers	4
Depth with Drawers Extended	55 5/8"
Drawers Opening (in)	(2) 21 5/8" x 10 3/8" (2) 21 5/8" x 10 1/4"
Depth, Cutting Board	19"
INTERNAL DIMENSIONAL DATA	
NET Capacity (cubic ft.)	27
Internal Width Useable (in)	48"
Internal Depth Overall (in)	26"
Internal Height Overall (in)	25"
ELECTRICAL DATA	
Full Load Amperes 115/60/1	6.3
REFRIGERATION DATA	
Horsepower	1/4
WEIGHT DATA	
Gross Weight (Crated lbs)	410 lbs
Height - Crated	47 1/2"
Width - Crated	70"
Depth - Crated	37"

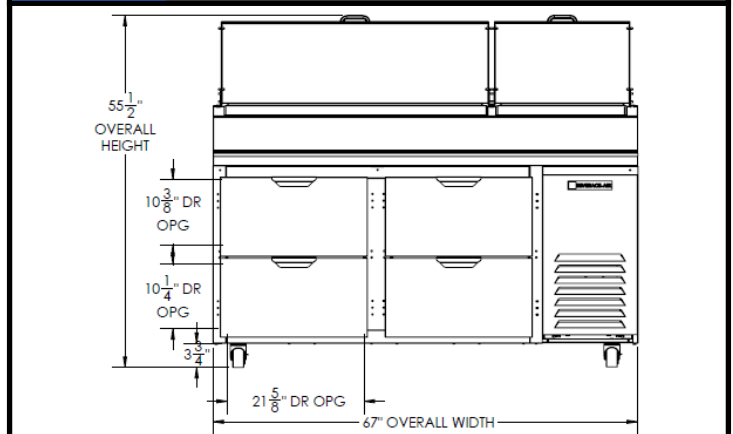
Deli/Pizza Preparation Table

Models: DPD67-4

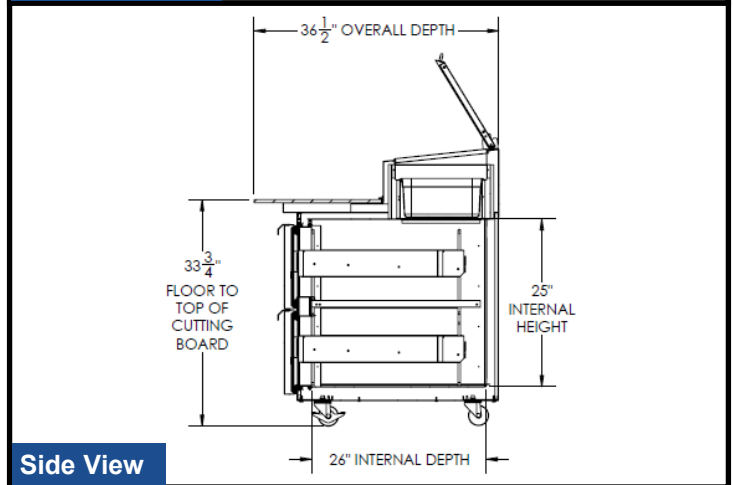
Model Views



Plan View



Elevation View



Side View

ELECTRICAL CONNECTION



115/60/1
NEMA-5-15P

Units pre-wired at factory and include 8' long cord and plug set.



an Ali Group Company



The Spirit of Excellence

3779 Champion Blvd., Winston-Salem, NC 27105
1-888-845-9800 Fax: 1-336-245-6453
Beverage-Air.com sales@bevair.com