



BEVERAGE-AIR

Project: _____

AIA#

Item: _____

Location: _____

SIS#

Approved: _____

DD Draft Beer Equipment-Direct Draw Dispenser

DD72HC Direct Draw Two Dual Tap Towers

Hydrocarbon Series

MODELS:

DD72HC-1-B

DD72HC-1-S



DD72HC-B



DD72HC-S

3 Year Parts/Labor Warranty
Additional 2 Year Compressor Warranty

CABINET CONSTRUCTION

- Exterior is wear resistant vinyl on steel in black or stainless steel finish
- Top is made from heavy-duty stainless steel including drip tray
- Interior is galvanized steel on walls and ceiling, reinforced floor is heavy duty stainless steel
- Full electronic control
- Drain tube located at bottom front of cooler for connection to floor drain
- 3" Insulated dispensing towers
- Two dual tap towers
- Self-closing doors with locks
- Magnetic gaskets provide positive door seal
- Field reversible doors
- Compressor available on left or right, specify at time of unit order
- Maintains product temperatures between 36°F and 38°F

OPTIONS & ACCESSORIES

- Club top models available
- Wine models
- Wine taps
- Faucet locks
- Glass rinser
- 3"-6" casters or 6" legs with adjustable plate
- Low profile casters
- 1- 5 Tap tower
- 2,3 & 4 way manifolds
- No draft/hole cover options
- Remote option

REFRIGERATION SYSTEM

- Refrigeration system uses R290 refrigerant to comply with all environmental concerns
- Automatic, non-electric defrost
- Epoxy coated evaporator coil

DD72HC Direct Draw Dispenser: Two Dual Tap Towers



3779 Champion Blvd., Winston-Salem, NC 27105
1-888-845-9800 Fax: 1-336-245-6453
Beverage-Air.com sales@bevair.com



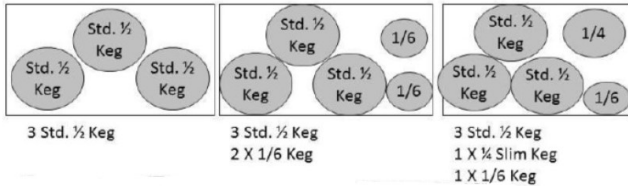
BEVERAGE-AIR

Bar Equipment-Direct Draw Dispenser Solid Door

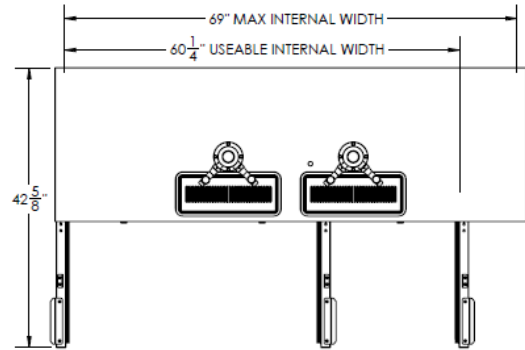
Models: DD72HC-1-B, DD72HC-1-S

MODEL	DD72HC-1-B	DD72HC-1-S
EXTERNAL DIMENSIONAL DATA		
Width Overall	72"	72"
Depth Overall with Handle	24 3/8"	24 3/8"
Height Overall	51 1/4"	51 1/4"
Number of Doors	3	3
Depth with Door Open 90°	42 5/8"	42 5/8"
Door Opening (in)	17 3/4" x 29 1/4"	17 3/4" x 29 1/4"
INTERNAL DIMENSIONAL DATA		
NET Capacity (cubic ft.)	19.95	19.95
Internal Width Overall (in)	60 1/4"	60 1/4"
Internal Depth Overall (in)	18 3/4"	18 3/4"
Internal Height Overall (in)	27 7/8"	27 7/8"
Number of Kegs	3	3
ELECTRICAL DATA		
Full Load Amperes 115/60/1	3.1	3.1
REFRIGERATION DATA		
Horsepower	1/3	1/3
Capacity (BTU/Hr)*	1942	1942
WEIGHT DATA		
Gross Weight (Crated lbs)	424 lbs	376 lbs
Height - Crated	40"	43"
Width - Crated	75"	74"
Depth - Crated	26"	27"

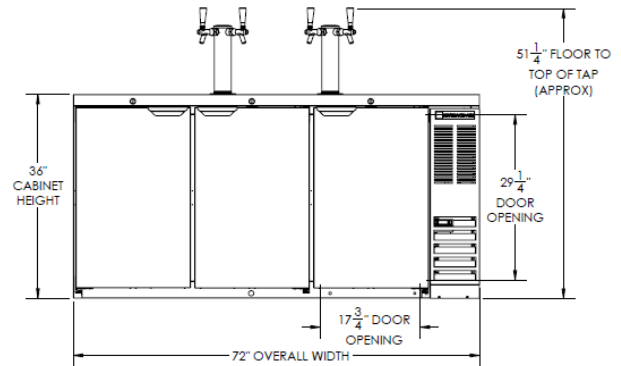
DD58/68/72 KEG CAPACITY:



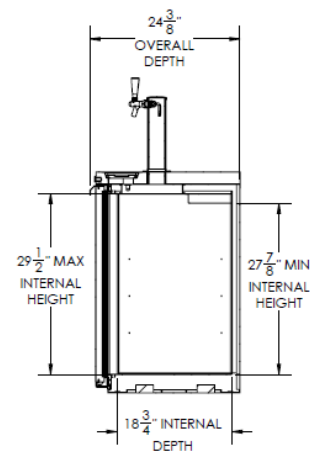
Model Views



Plan View



Elevation View



Side View

ELECTRICAL CONNECTION



115/60/1
NEMA-5-15P

Units pre-wired at factory and include 8' long cord and plug set.



an Ali Group Company



The Spirit of Excellence

3779 Champion Blvd., Winston-Salem, NC 27105
1-888-845-9800 Fax: 1-336-245-6453
Beverage-Air.com sales@bevair.com