



MULTI FUNCTIONAL BLOWER FAN OWNER'S MANUAL

**X-400 / X-400A / X-430TF / P-400
(115V / 60Hz)**

XPOWER MANUFACTURE, INC.
220 Clary Avenue
San Gabriel, CA 91776, USA
Tel: 626-285-3301, Fax: 626-285-3302
www.xpower.ws



PLEASE READ AND SAVE THESE INSTRUCTIONS

Index

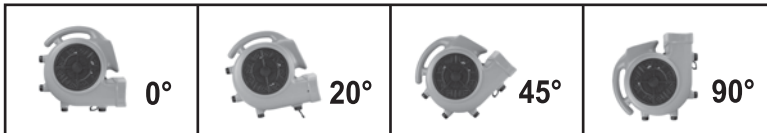
Introduction	2
Operation / Instructions.....	3
Safety Instructions.....	4
Maintenance Instructions / Troubleshooting.....	5
Specifications.....	6
Warranty / Service	7
Parts List	8
Accessories	11
Warranty Registration Form	12

Introduction

XPOWER Blowers / Fans are ETL & C-ETL Certified Professional Level Multi Functional Blowers / Fans with the most efficient engineering design.

Features:

- Low power draw with an high velocity air flow from 1,600 to 2000 CFM
- Super quiet motor and super lightweight.
- Easy clean filter system.
- Easy carrying handle and stackable up to 4 units high.
- Easy and quick to disassemble for thorough cleaning and service.
- Power cord lengths are 20'.
- Safety screens on open vents.
- 3-speed switch.
- 4 air-flow positions for models (0°, 20°, 45°, 90°).



- Durable and rugged housing with a 5 Year Warranty

Operation / Instructions

XPOWER Blower / Fans are intended to move air and to dry floors, walls, furniture, etc. Durable and easy to operate with an effective balance of static pressure and airflow, the units are suitable for a variety of applications.

1. XPOWER Blower / Fans are shipped ready-to-use.
Prior to plugging the unit into the power source, inspect completely for any shipping damage.
2. Plug the electrical cord into a standard 3-prong outlet.
3. Carefully place the Blower / Fans on a stable, flat dry surface.
4. The unit is capable to be used at 4 different angles to direct air flow.
5. Turn the switch to desired speed, while making sure unit operates normally.
6. All Blower / Fans in operation must be supervised at all times.



BLOWER / FAN STORAGE:

Air Movers can be stacked (up to 4) on their sides for storage.

NOTICE:

1. Stacking feature is not secure for transportation.
2. Remove the filters before stacking.
(For unit with filters)



Timer Instruction

(Applicable for X-430TF)

Use the Timer to set the preferred time from 1 min to 180 min.

Safety Instructions

1. To prevent electric shock, do not operate unit in standing water. Never plug in or unplug the unit with wet hands or while standing in water.
2. To avoid risk of injury, do not direct air flow at face or body.
3. To reduce the risk of fire or electric shock, do not use unit with any solid-state speed control device.
4. Use only with GFCI protected receptacles. Please contact a qualified electrician for verification and/or installation of a GFCI receptacle if necessary.
5. Do not operate any unit with a damaged cord or plug. Discard unit or return to an authorized service facility for examination and/or repair.
6. Unplug the unit from the power source before servicing or cleaning.
7. Do not run the power cord under carpeting. Do not cover the power cord with throw rugs, runners, or similar coverings. Place the power cord away from traffic area to prevent tripping.
8. Do not allow children to play with or around Blower / Fan.
9. Do not move or carry a Blower / Fan when unit is operating.
10. All Blower / Fan in operation must be supervised at all times.

Maintenance Instructions

1. To keep the Blower / Fan clean, use a damp cloth to wipe the surface of the housing.
2. Never clean the unit with water.
3. When not in use unplug and store the Blower / Fan in a dry indoor place out of reach of children.
4. Always disconnect the XPOWER Blower / Fan from its power source before performing any maintenance or cleaning.
5. Clean the filters (for unit with filters) as often as necessary to avoid loss of airflow.

Troubleshooting

For any problems not listed below, call your local distributor or contact our Service Department.

PROBLEM	POSSIBLE CAUSE	SOLUTION
Blower / Fan not running	No power input	Plug in the blower; check circuit breaker
	Switch not turned on	Turn on switch
	Unit fan jammed	Remove material jamming fan wheel
	Intake or exhaust blocked	Turn unit off and allow to cool, then remove blockage
Blower vibrates excessively	Accumulation of dirt on fan blade	Clean blower blade

Specifications

Model	X-400/P-400	X-400A	X-430TF
Volt/Frequency	115V,60Hz	115V,60Hz	115V,60Hz
Power	1/4 HP	1/4 HP	1/3 HP
Amp	3 Amps	3 Amps	3.8 Amps
Unit Weight	15 Lbs./16 Lbs.	17.7 Lbs.	17Lbs.
Speeds	Three	Three	Three
Size(WxDxH)	13.9x14.8x14.6 in.	13.9x14.8x14.6 in.	13.9x14.8x14.6 in.
Timer	N.A.	N.A.	Incl.
Filter	Optional	Optional	Incl.
Daisy Chain	N.A.	Incl.	N.A.
Cord Length	20 Ft.	20 Ft.	20 Ft.
Overheating Protecting	Thermally Protected	Thermally Protected	Thermally Protected
Rated Airflow (on high)	1600 CFM	1600 CFM	2000 CFM
Positions	4(0°, 20°, 45°, 90°)	4(0°, 20°, 45°, 90°)	4(0°, 20°, 45°, 90°)
Housing	ABS / PP	ABS	ABS

XPOWER Limited Warranty

XPOWER Warranty covers the unit from defects in materials and craftsmanship. The Warranty covers normal use for a term of one year from original date of purchase; including parts, labor and one way shipping. XPOWER Blower / Fan Housing is covered for a term of five years from the date of the original purchase.

Important !

Warranty does not cover signs of misuse including, but not limited to, a unit that has been dropped, subjected to water damage, tampered with, improper voltage use and unauthorized maintenance and repairs. The POWER CORD and FILTERS are not covered by the warranty.

Service

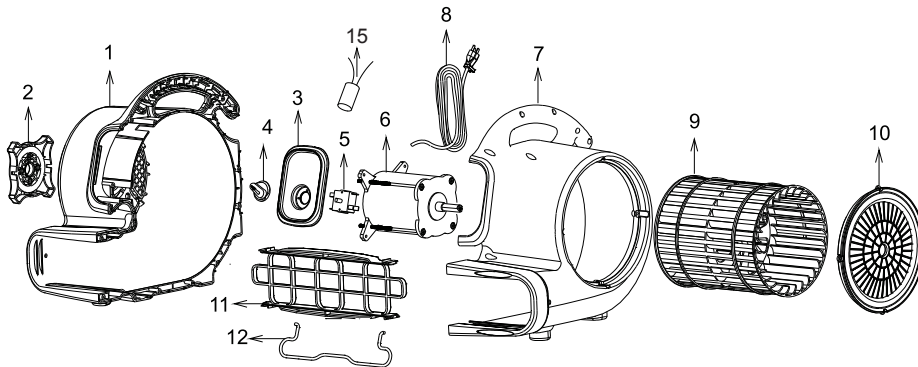
In order to receive service or replacement parts under warranty, you must:

- A. Call for an RMA (Return Merchandise Authorization Number and Service Department address).
- B. Have proof of purchase.

The end user will be responsible to ship the unit (with RMA Number showing on the shipping label) to the XPOWER Service Department. Upon inspection, we will advise you of the repairs needed and the cost (if applicable). XPOWER will provide repair or replacement parts depending on warranty.

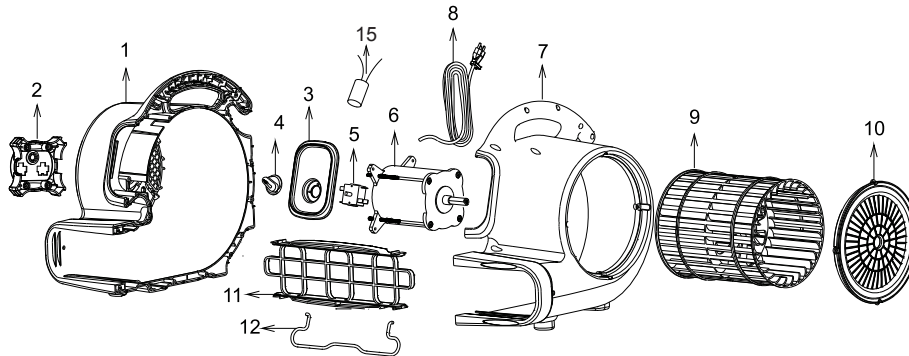
400 Series Parts List

Item No.	Parts Name	Item No.	Parts Name
400-1	Left Housing	400-2	Grid Cover (Motor Side)
400-3	Switch Plate	400-4	Switch Knob
400-5	Switch	400-6	Motor
400-7	Right Housing	400-8	Power Cord
400-9	Fan	400-10	Grid Cover (Fan Side)
400-11	Air Outlet Grid Cover	400-12	Kick Stand
400-13	Rubber Feet (Not Show)	400-14	Screws and Nuts (Not Shown)
400-15	Capacitor	400-16	



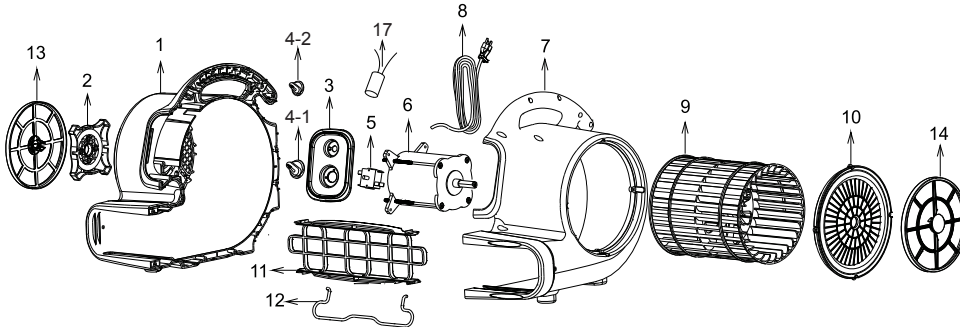
400A Series Parts List

Item No.	Parts Name	Item No.	Parts Name
400A-1	Left Housing	400A-2	Grid Cover (Motor Side)
400A-3	Switch Plate	400A-4	Switch Knob
400A-5	Switch	400A-6	Motor
400A-7	Right Housing	400A-8	Power Cord
400A-9	Fan	400A-10	Grid Cover (Fan Side)
400A-11	Air Outlet Grid Cover	400A-12	Kick Stand
400A-13	Rubber Feet (Not Show)	400A-14	Screws and Nuts (Not Shown)
400A-15	Capacitor		

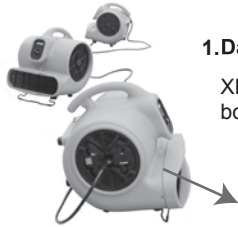


430TF Series Parts List

Item No.	Parts Name	Item No.	Parts Name
430TF-1	Left Housing	430TF-2	Grid Cover (Motor Side)
430TF-3	Switch Plate	430TF-4-1/2	Switch Knob & Timer Knob
430TF-5	Switch	430TF-6	Motor
430TF-7	Right Housing	430TF-8	Power Cord
430TF-9	Fan	430TF-10	Grid Cover (Fan Side)
430TF-11	Air Outlet Grid Cover	430TF-12	Kick Stand
430TF-13	Filter I (Motor Side)	430TF-14	Filter II (Fan Side)
430TF-15	Rubber Feet (Not Show)	430TF-16	Screws and Nuts (Not Shown)
430TF-17	Capacitor		



Accessories



1. Daisy Chain Specifications (applicable for model X-400A)

XPOWER Blower / Fan Model X-400A is daisy chainable with an low 3 amp draw, the 12-amp on board circuit breaker will allow two(2) additional X-400A units to run on one circuit at the same time.



Note:
Air Mover has an on-board Circuit Breaker. If the Auxiliary Outlet overloads the Circuit Breaker will trip. If the Breaker does trip unplug the units and press the Circuit Breaker Reset button. Plug the units back into the power source and turn on the switch.

2. Filters(Optional)

A set of Filters is available for the XPOWER Blowers / Fans which will help prevent small debris and dust from entering the unit. To clean the filters: Remove the filters from the unit and wash with warm soapy water, rinse with clean water and let dry thoroughly before reinstalling.

Installation:
Filters snaps into the air inlets.

Note:
The filter I is Motor Side,
The filter II is for the Fan
Side.



Filter Removal:
Pull the filters out of the unit.

Note:
After cleaning make sure the
filters are dry before
reinstalling.



3. Cage Drying Kit For the Professional Pet Grooming Industry

The Kit includes Blower / Fan Adapter, three 8 Foot Hoses and three Airflow Adjustment Doors.



Airflow adjustment door

Hooks for easy hanging

WARRANTY REGISTRATION

Please complete and mail or fax for your product warranty, for multiple units, please list serial numbers on a separate sheet of paper.

Address: XPOWER MANUFACTURE, INC. 220 Clary Avenue San Gabriel, CA 91776, USA Tel: 626-285-3301, Fax: 626-285-3302

Your Name / Company Name _____

Contact Name _____ Title _____

Address _____ City _____ State _____ Zip _____

Phone _____ Fax _____ E-mail _____

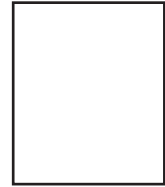
Blower / Fan Information Model # _____ **Serial # :** _____

Date of Purchase ____/____/____ **Purchased From** _____

Additional Comments/Suggestions _____



From: _____



TO:
XPOWER MANUFACTURE, INC.
220 Clary Avenue
San Gabriel, CA 91776, USA
Tel: 626-285-3301, Fax: 626-285-3302

